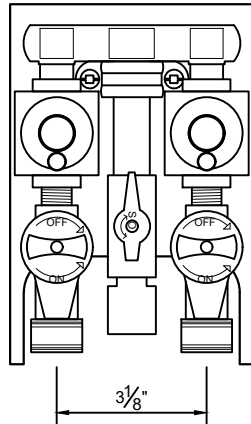


OPEN SIDE VIEW

INSIDE

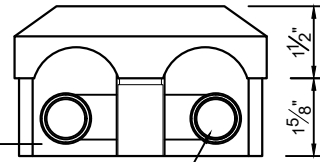


3/8"

TOP



BOTTOM



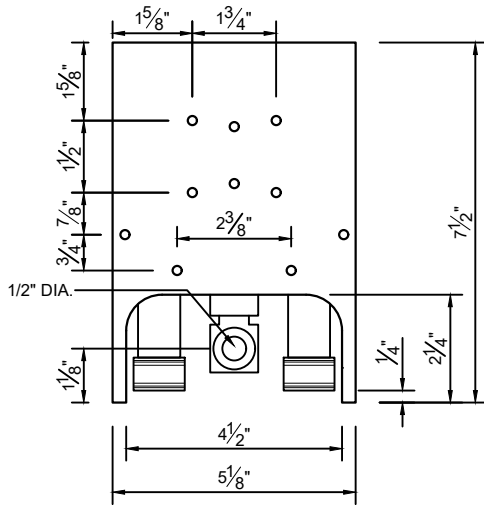
1 1/2"

15/8"

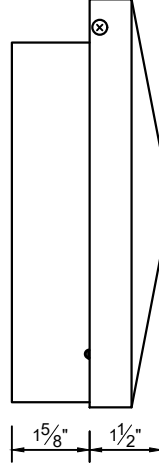
7/8" DIA.

C/W 2 X 3/8" DIA. FEMALE QUICK-CONNECT FITTINGS

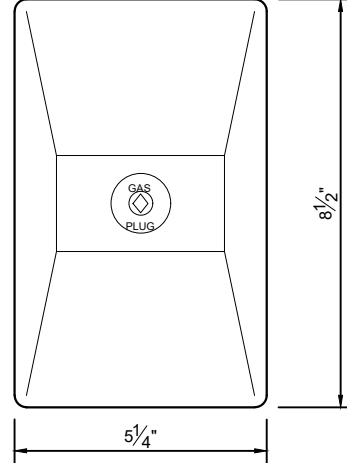
BACK



SIDE




FRONT



8 1/2"

5 1/4"

Stamp		Version	Description	
			2LB. DBL-STAINLESS STEEL MODEL# GO101-2#DBL-SS	
		SCALE 1/4":1"		
		DWG No.	Version	Date DECEMBER 2023