

Brass Female Ball Valve

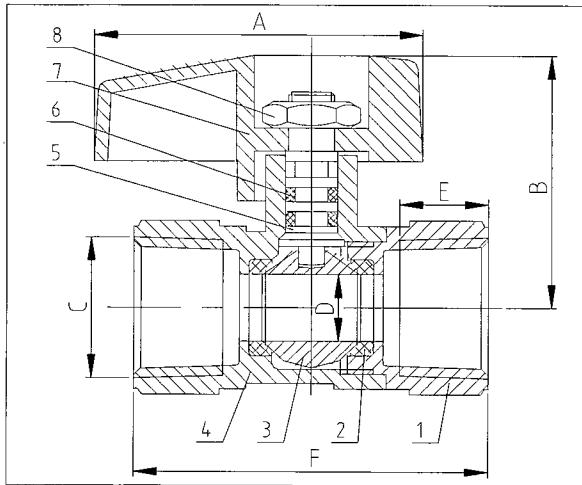
Type: Q11F-600TB2. A. I



Art No.: QB2T510

Material:

No.	Parts	Qty.	Material
1	Adapter	1	Forged brass
2	Seats	2	Virgin PTFE
3	Ball	1	Chrome plated brass
4	Body	1	Forged brass
5	Stem	1	Machined brass
6	O-ring	2	NBR
7	Handle	1	YL102
8	Nut	1	Q235A



Features

- Pressure: 600WOG
- Medium: Gas, Water, Oil
- Temp: -30°C~120°C
- Inspection standard: GB/T13927-92
- Thread standard: ANSI B1.20.1

Dimensions

mm

Size	A	B	C	D	E	F
10	50	37.7	3/8-18NPT	9.9	10.5	45
15A	50	38.1	1/2-14NPT	9.9	14	54
20A	50	41.3	3/4-14NPT	14	15	62
25	50	47.2	1-1 1/2NPT	24	18	79.6