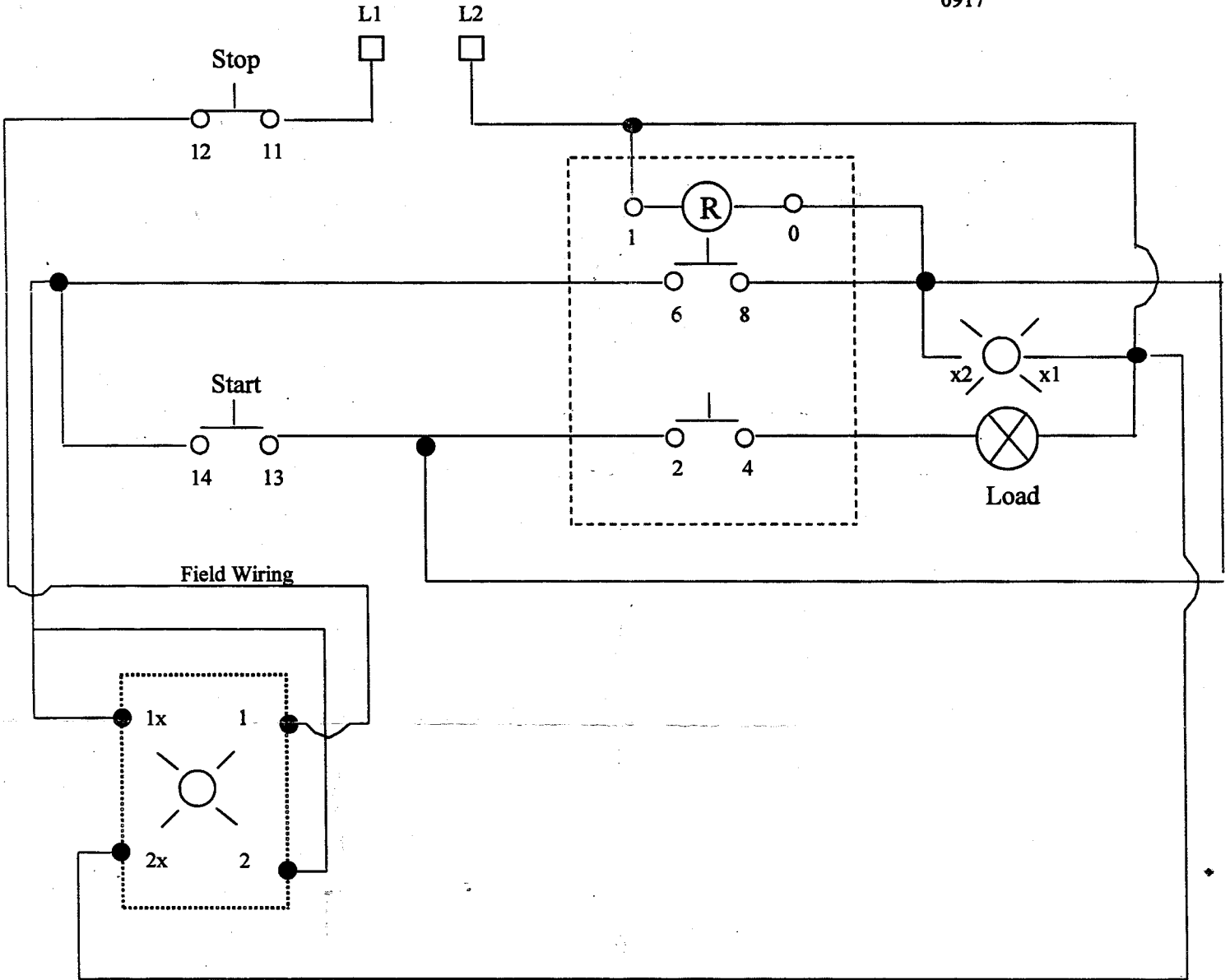


# MESO WIRING SCHEMATIC

0917



## MESO Slave

Note: If you use a 110-Volt MESO, you must use a 110-Volt Slave



3868 Commercial St  
Vancouver, BC V5N 4G2  
Ph: 604-877-1599 Fax: 604-875-6776  
www.bbymfg.com