

ADJUSTABLE STANDOFFS

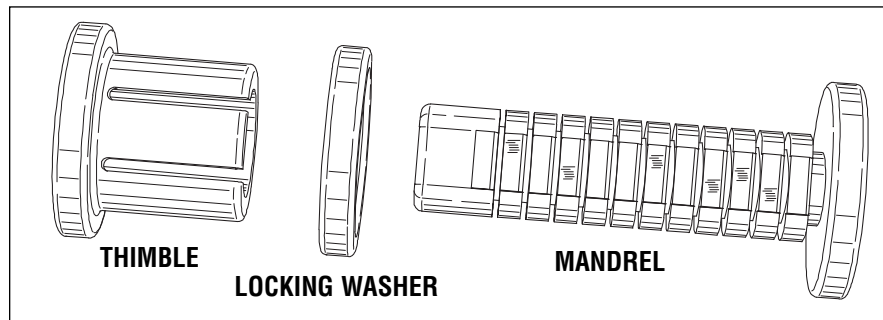
PATENT



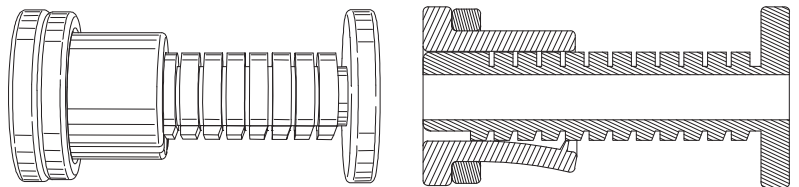
INSTALLATION INSTRUCTIONS

(ADJUSTABLE FROM 3/4" TO 1 1/2")
(3/4" TO 3" SOLD SEPARATELY)

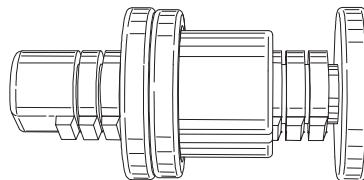
1. Put the **locking washer** onto the moveable **thimble**; push the **locking washer** all the way to the flange.



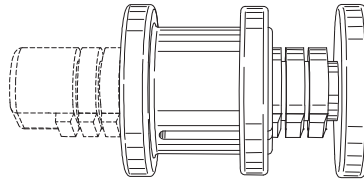
2. Insert the adjustable **mandrel** into the end of the moveable **thimble**. It may be easier the first time to turn the **mandrel** slightly, then push in and turn back so the flat side is engaged with the locking flip portion of the moveable **thimble**.



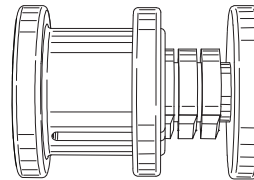
3. Push the **mandrel** down as far as required. Distance between the outside of the flanges should be what you desire.



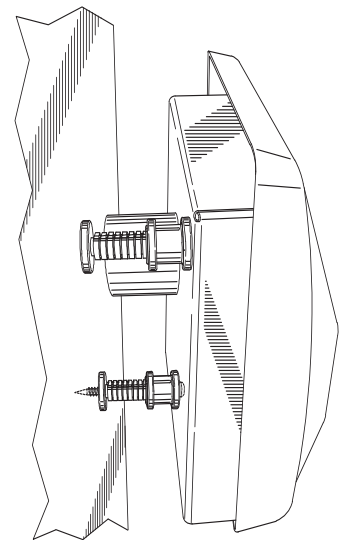
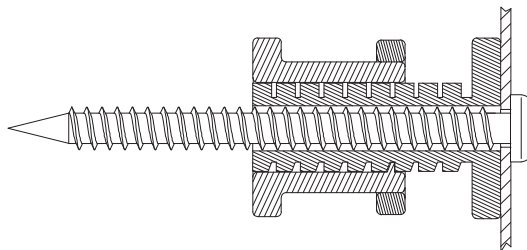
4. Pull the **locking washer** away from the flange to the end of the moveable **thimble**, this will lock the **thimble** onto the **mandrel**.



5. To get the desired length using a knife or saw, cut the excess end of the **mandrel** past the flange that is not required.



6. The **ADJUSTABLE STANDOFF** is now ready to be used.



SO-ADJ-0416

BURNABY MANUFACTURING LTD.

3868 COMMERCIAL ST, VANCOUVER, B.C. CANADA V5N 4G2 TEL: (604) 877-1599 • FAX: (604) 875-6776

EMAIL: info@bbymfg.com • WEB www.bbymfg.com