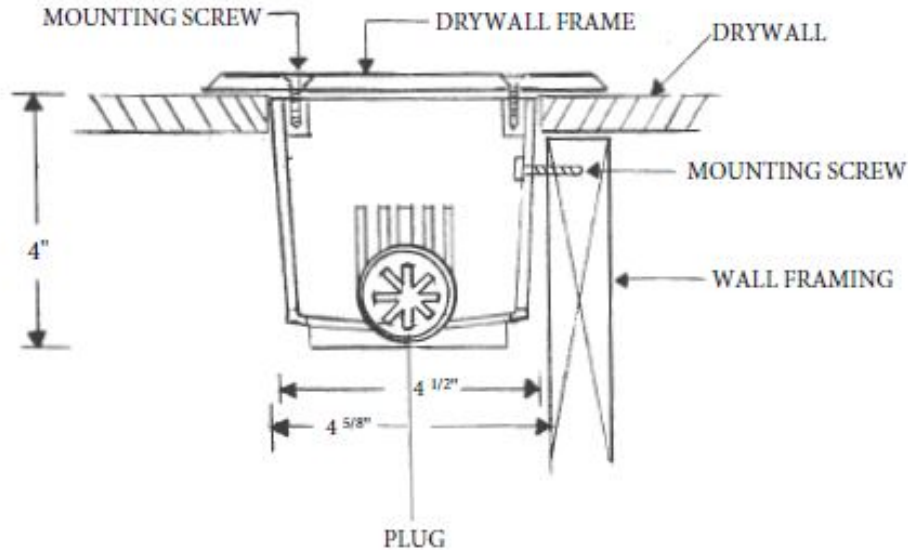




VERSATILE GAS PLUG™

C.S.A.
approved
components

INTERIOR INSTALLATION INSTRUCTIONS



1. This device shall be installed in accordance with local codes or, in the absence of local codes, in accordance with the National Fuel Gas Code ANSI Z223.1/NFPA54, or the Natural Gas & Propane Installation Code, CSA B149.1, as applicable.
2. Test all piping, including the pipe joints inside the connection box as per B149.1 or B149.2
3. This optional ABS enclosure is designed to be installed with a Gas Plug™ assembly for interior walls.
4. Secure the rough in box at your desired location or to the wall framing using screws provided, making sure to extend the leading edge of the box to the finished surface.
5. Secure the Gas Plug™ assembly to the box using the stainless steel screws supplied.
6. Pipe the assembly to the gas meter or main line
7. Pressure test according to codes stated above, being careful not to exceed the working pressure of the regulator by shutting off the manual valve and bleeding the test pressure off at another location *Not at the Gas Plug™
8. You may want to use the Gas Plug cap so that the dry waller or wall finishing contractor does not get debris in the box.
9. Once the wall is finished, install the drywall frame using the stainless steel screws provided.

*Note: The 2 PSIG assemblies are designed to be mounted vertically. If a horizontal installation is desired, the regulator vent limiter will have to be adjusted

Model #	VGP-G0101-INT-38	VGP-G0101-INT-2#-38	VGP-INT-50	VGP-INT-2#-50	VGP-INT-2#-250	VGP-INT-75
Capacity NG	60,000 BTU	60,000 BTU	90,000 BTU	90,000 BTU	250,000 BTU	245,000 BTU
Capacity LP	90,000 BTU	-	138,000 BTU	138,000 BTU	382,500 BTU	375,000 BTU
Outlet Size	3/8"	3/8"	1/2"	1/2"	1/2"	3/4"
Inlet Size	1/2"	1/2"	1/2"	1/2"	1/2"	3/4"

VGP-INT-0317

BURNABY MANUFACTURING LTD.

3868 COMMERCIAL ST, VANCOUVER, B.C. CANADA V5N 4G2 TEL: (604) 877-1599 • FAX: (604) 875-6776

EMAIL: info@bbymfg.com • WEB www.bbymfg.com