



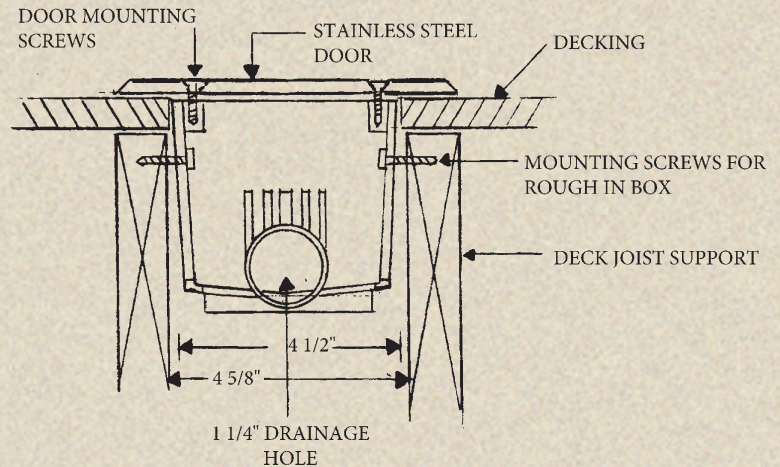
VERSATILE GAS PLUG™ WOOD DECK BOX



- 18 GA 316 STAINLESS STEEL DOOR & FRAME C/W GASKET
- SCREWDRIVER OPERATED CYLINDER CAM LOCK
- FIRE RATED ABS ROUGH IN BOX
- GAS CONNECTION HOSE CAN BE HOOKED UP WHILE THE DOOR IS CLOSED
- 1 1/4" DRAINAGE CONNECTION

Model # VGP-WD

THIS **GAS PLUG™** IS AN IDEAL MEANS OF SAFELY AND SECURELY CONNECTING YOUR NATURAL GAS OR PROPANE BARBEQUE, PATIO HEATER OR ANY OUTDOOR APPLIANCE DIRECTLY TO YOUR EXISTING HOME GAS SUPPLY SYSTEM. THIS UNIT IS DESIGNED TO BE INSTALLED INTO A WOOD DECK AND WILL ALLOW SURFACE WATER TO RUN THROUGH THE STAINLESS STEEL DOOR AND ROUGH-IN BOX TO THE SUB SURFACE. IT PROVIDES THE OWNER WITH NOT ONLY PEACE OF MIND, BUT ALSO A PRACTICAL AND CLEAN METHOD OF CONCEALING UNSIGHTLY PIPES AND VALVES.



SPECIFICATIONS

Overall Size: Door - 6 1/2" x 13 3/4"
Rough-in Box - 4 1/2" x 12"
Approved for temperatures to -40 deg.
Indoor/Outdoor use
CSA Approved Components

Model:	VGP-G0101-WD-38	VGP-G0101-WD-2#-38	VGP-WD-50	VGP-WD-2#-50	VGP-WD-75
Capacity NG:	60,000 BTU	60,000 BTU	90,000 BTU	90,000 BTU	245,000 BTU
LP:	90,000 BTU	N/A	138,000 BTU	138,000 BTU	375,000 BTU
Outlet size:	3/8"	3/8"	1/2"	1/2"	3/4"
Inlet size:	1/2"	1/2"	1/2"	1/2"	3/4"



3868 COMMERCIAL ST, VANCOUVER, B.C. V5N 4G2
TEL: (604) 877-1599 • FX: (604) 875-6776
EMAIL: info@bbymfg.com • WEB: www.bbymfg.com

Distributed by: