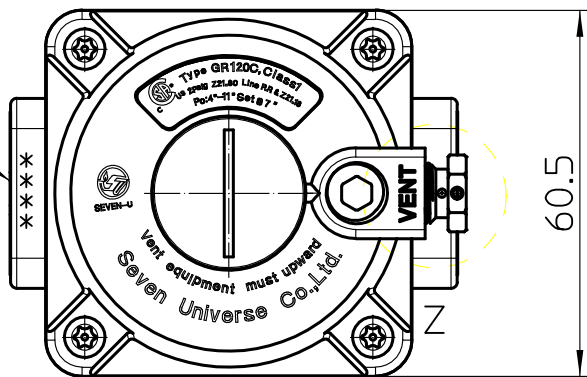
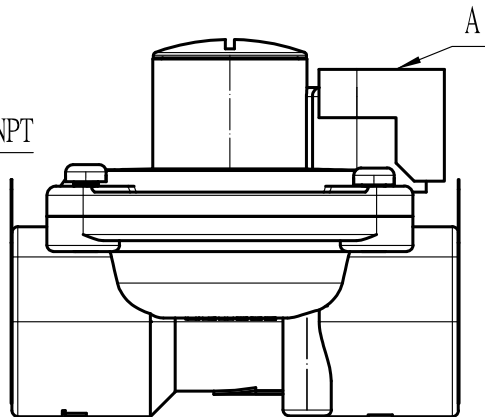
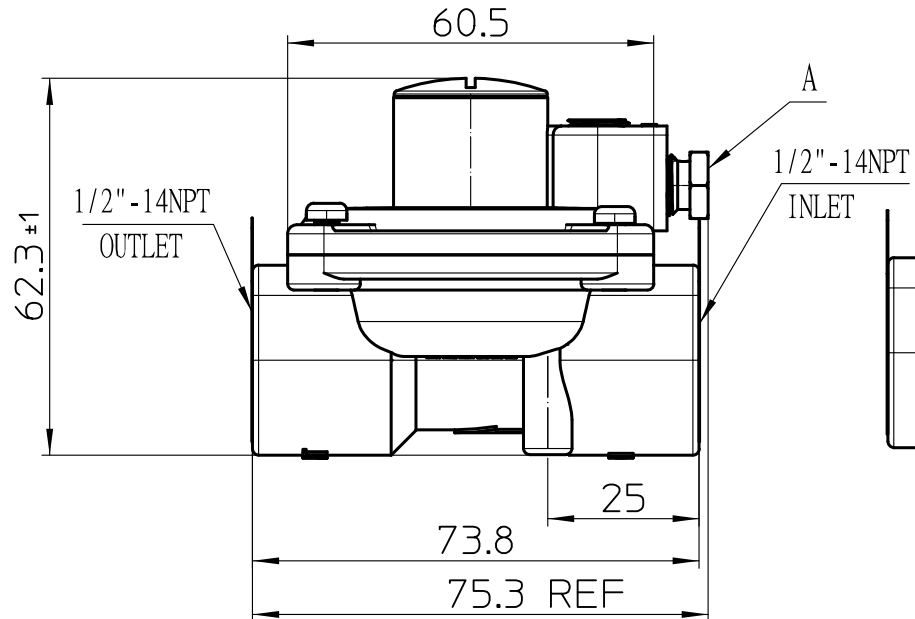
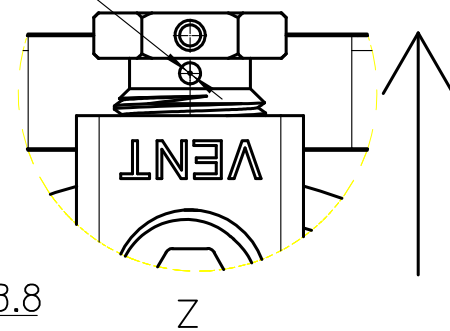
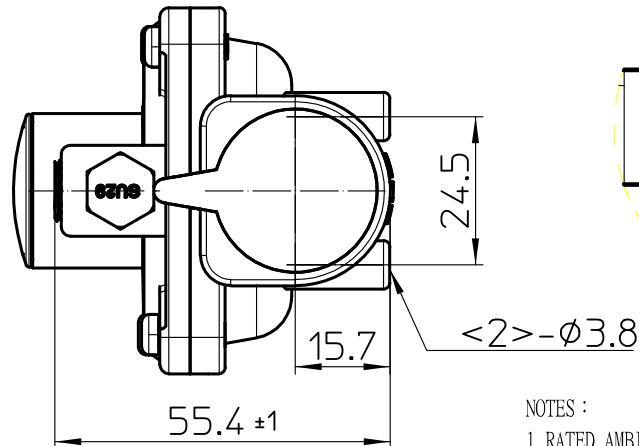


序號

Date Code
YYWW



60.5



NOTES :

1. RATED AMBIENT TEMPERATURE -40°F TO 225°F
2. INLET PRESSURE RANGE: 1/2PSI-2PSI
3. FLOW RATE : 90000BTU/Hr
4. OUTLET PRESSURE RANGE : INLET PRESSURE 2psi, OUTLET PRESSURE IS SET TO $7\pm 0.3'$, CAN BE ADJUSTED TO "4"-11"
5. LEAKAGE RATE FOR REGULATOR SHOULD BE LESS THAN 0.33mL/min AT 21Kpa AIR PRESSURE
6. BALL CHECK LIMITING DEVICE SHOULD BE INSTALLED UPWARD
7. FOR INDOOR USE VENT LIMIT
8. FOR OUTDOOR USE PLASTIC COVER

GR120C2P02	Plastic Cover	OUTDOOR
GR120C2P01	Vent Limit	INDOOR
PART NO.	A	USE

	日期	記事
MARK	DATE	MEMO
規格	品名	REGULATOR
SPEC	DESCRIPTION	
表面處理	關係	KA064
FINISH	RELATION	
品番	比例	4MM/ 5MM
PART NO.	RATIO	
日期	機種	
DATE	MODEL	

承認	審查	檢圖	設計	制圖
APPROVER	EXAM	CHECK	DESIGNER	DRAWER
		HuiChen		LiangLi

一般公差	
尺寸範圍	容許差
LIMIT	TOLANCE
0-9	± 0.1
10-50	± 0.15
51-250	± 0.25
251-1000	± 1.0
≥ 1000	± 1.50
角度Angles	$\pm 1^{\circ}$

材質(編號)	版本
MATERIAL(#.)	DRAW NO.
	A
視圖	Angle of view

寧波金歐五金制品有限公司
KIN-OU NINGBO JINO HARDWARE CO.,LTD.