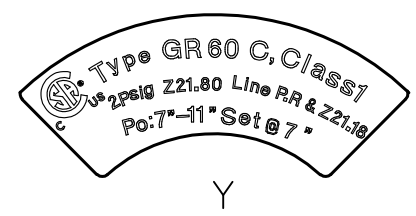
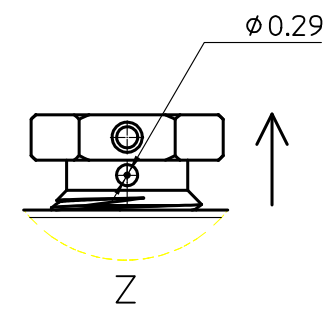
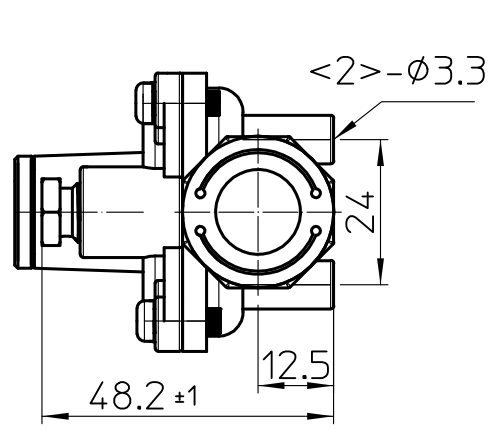
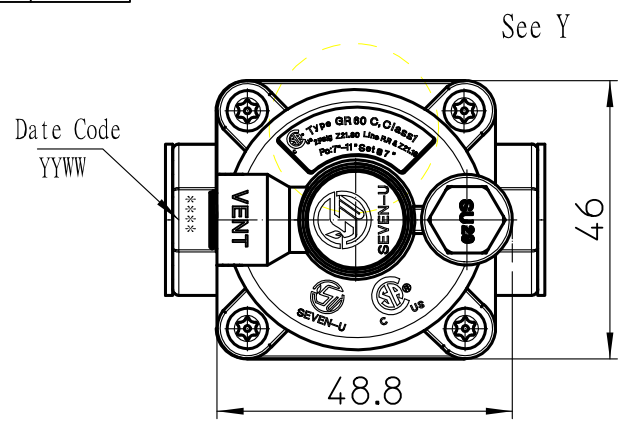
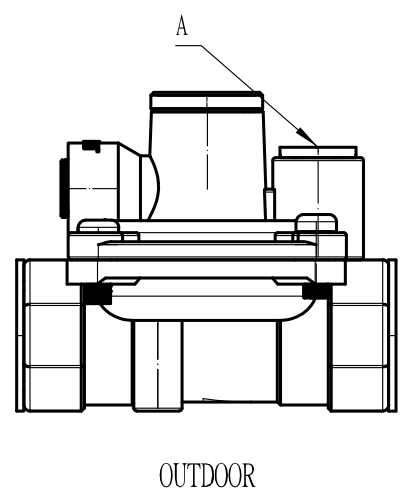
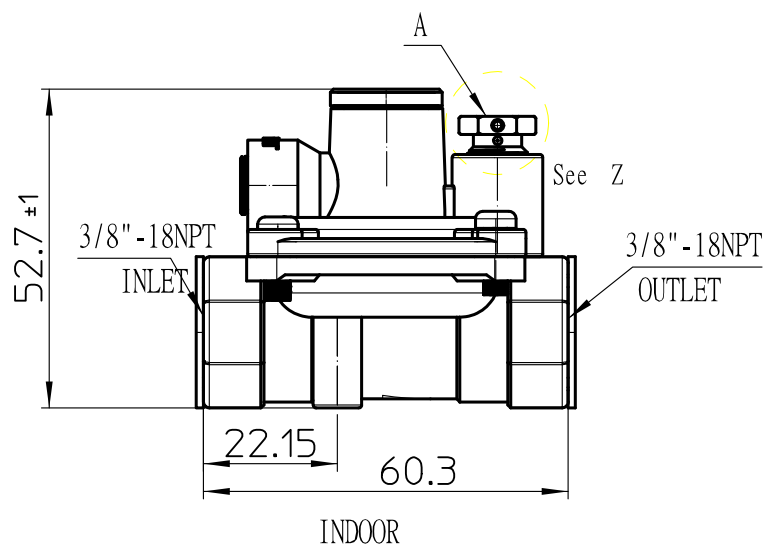


序號



NOTES :

1. RATED AMBIENT TEMPERATURE -40°F TO 225°F
2. INLET PRESSURE RANGE: 1/2PSI-2PSI
3. FLOW RATE : 60000BTU/Hr
4. OUTLET PRESSURE RANGE : INLET PRESSURE 2psi, OUTLET PRESSURE IS SET TO 7 ± 0.3 , CAN BE ADJUSTED TO 7"-11"
5. LEAKAGE RATE FOR REGULATOR SHOULD BE LESS THAN 0.33mL/min AT 21Kpa AIR PRESSURE
6. BALL CHECK LIMITING DEVICE SHOULD BE INSTALLED UPWARD
7. FOR INDOOR MUST USE VENT LIMIT
8. FOR OUTDOOR MUST USE PLASTIC COVER



GR60C2P02	Plastic Cover	OUTDOOR
GR60C2P01	Vent Limit	INDOOR
PART NO.	"A"	USE

	日期 DATE	記事 MEMO
標記 MARK	日期 DATE	記事 MEMO
規格 SPEC		品名 DESCRIPTION
表面處理 FINISH		關係 RELATION
品番 PART NO.	GR60C2P	比例 RATIO
日期 DATE	2018.03.29	機種 MODEL
		REGULATOR
		KB064
		1 MM/ 1 MM
		GR60C2P

承認 APPROVER	審查 EXAM	檢圖 CHECK	設計 DESIGNER	制圖 DRAWER
				LiangLi

寧波金歐五金制品有限公司
KIN-OU NINGBO JINOU HARDWARE CO.,LTD.

一般公差 TOLERANCE		材質(編號) MATERIAL(#.)
尺寸範圍 LIMIT	容許差 TOLANCE	
0-9	±0.1	版本 DRAW NO.
10-50	±0.15	A
51-250	±0.25	視圖 Angle of view
251-1000	±1.0	
≥1000	±1.50	
角度 Angles	±1°	