



VERSATILE GAS PLUG™ INTERIOR BOX



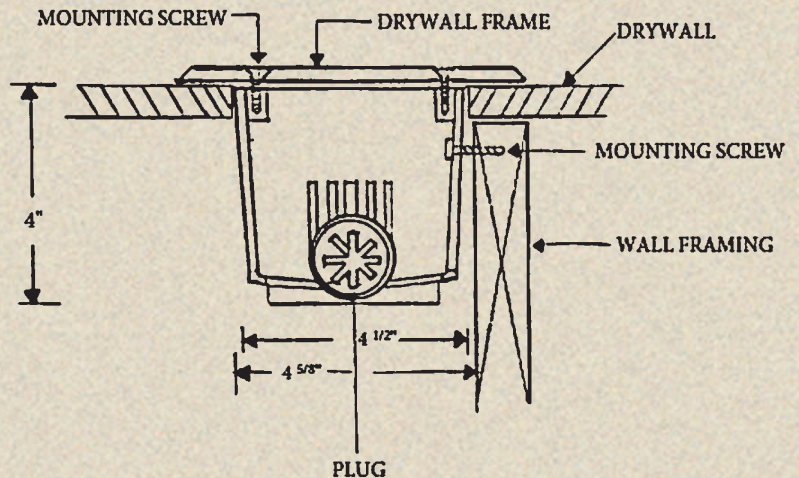
- IDEAL FOR STOVE AND DRYER CONNECTIONS
- FIRE RATED ABS ROUGH IN BOX
- ABS DRYALL FRAME
- VENT LIMITER ON 2# MODELS FOR INDOOR USE
- AVAILABLE WITH OR WITHOUT THE QUICK DISCONNECT

Model # VGP-INT

THIS **GAS PLUG™** IS AN IDEAL MEANS OF SAFELY AND SECURELY CONNECTING YOUR STOVE OR DRYER DIRECTLY TO YOUR EXISTING HOME GAS SUPPLY SYSTEM. THIS UNIT IS DESIGNED TO BE TUCKED AWAY NEATLY IN A WALL CAVITY SO YOUR APPLIANCE CAN BE PUSHED FLAT TO THE WALL. AVAILABLE WITH OR WITHOUT A QUICK DISCONNECT COUPLING, THE DESIGN ALLOWS FOR THE QUICK DISCONNECT TO BE ADDED IN THE FUTURE WITHOUT HAVING TO SHUT DOWN THE COMPLETE SYSTEM.

SPECIFICATIONS

Overall Size: Rough-in Box - 4 1/2" x 12"
Approved for temperatures to -40 deg.
Indoor/Outdoor use
CSA Approved Components



Model:	VGP-G0101-INT-38	VGP-G0101-INT-2#-38	VGP-INT-50	VGP-INT-2#-50	VGP-INT-2#-400	VGP-INT-75
Capacity NG:	60,000 BTU	60,000 BTU	90,000 BTU	83,000 BTU	140,000 BTU	245,000 BTU
Capacity LP:	90,000 BTU	90,000 BTU	138,000 BTU	125,000 BTU	210,000 BTU	375,000 BTU
Outlet size:	3/8"	3/8"	1/2"	1/2"	1/2"	3/4"
Inlet size:	1/2"	1/2"	1/2"	1/2"	1/2"	3/4"



MANUFACTURING LTD.

2190-580 NICOLA AVE, PORT COQUITLAM, B.C., V3B 0P2

TEL: (604) 877-1599 • FAX: (604) 875-6776

EMAIL: info@bbymfg.com • WEB: www.bbymfg.com

Distributed by: