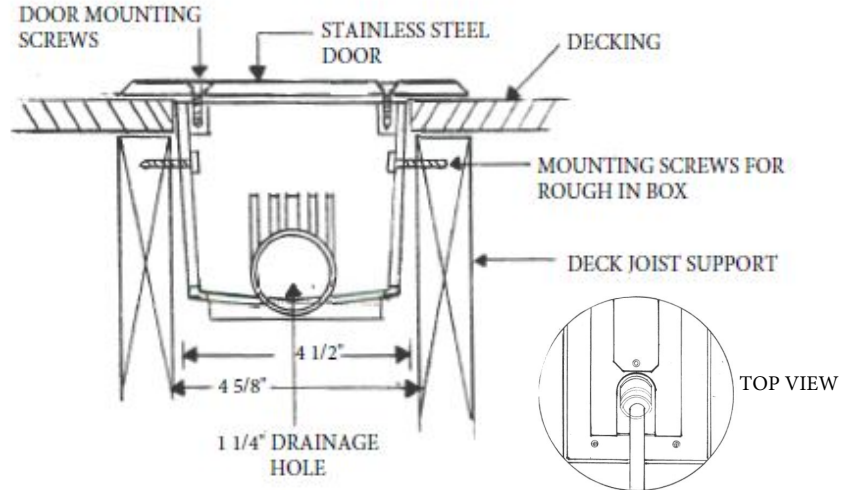




VERSATILE GAS PLUG™

C.S.A.
approved
components

WOOD DECK BOX INSTALLATION INSTRUCTIONS



1. This device shall be installed in accordance with local codes or, in the absence of local codes, in accordance with the National Fuel Gas Code ANSI Z223.1/NFPA54, or the Natural Gas & Propane Installation Code, CSA B149.1, as applicable.
2. Cut a hole in the deck 4 5/8" x 12 1/2" or mount the rough in box on the deck structure, with the top of the box allowing for the decking, with the screws provided.
3. Install the Gas Plug c/w piping, keeping in mind to enter the box with the piping on the side with a ridge to sleeve connection (not the drainage side, flush to box) and the required distance for the hose assembly to come through the small sliding door panel. The edge of the coupling should be no closer than 1" and not further away than 1 7/16" from the back side of the rough in box.
4. Test all pipe joints inside the rough in box as per CSA B149.1 or B149.2 or National Guel Gas Code.
5. When tightness of pipe joints is acheived, secure the Gas Plug assembly with the pipe clamp and screws provided.
6. If the decking is not finished, install the rough in cap with the four screws provided to keep debris out of the box during the decking installation.
7. When the decking is complete, remove and discard the cap and install the stainless steel door and cover with the remaining four screws.
8. Caution:
 - A) Never leave the male plug in the coupling
 - B) Always leave the manual valve in the closed position when not in use

| Model # | VGP-G0101-WD-38 | VGP-G0101-WD-2#-38 | VGP-WD-50 | VGP-WD-2#-50 | VGP-WD-75 | |
|-------------|-----------------|--------------------|------------|--------------|-------------|-------------|
| Capacity | NG | 60,000 BTU | 60,000 BTU | 90,000 BTU | 83,000 BTU | 245,000 BTU |
| | LP | 90,000 BTU | 90,000 BTU | 138,000 BTU | 125,000 BTU | 375,000 BTU |
| Outlet Size | 3/8" | 3/8" | 1/2" | 1/2" | 3/4" | |
| Inlet Size | 1/2" | 1/2" | 1/2" | 1/2" | 3/4" | |

VGP-WD-0317

BURNABY MANUFACTURING LTD.

2190-580 NICOLA AVE, PORT COQUITLAM, B.C. CANADA V3B 0P2 TEL: (604) 877-1599 • FAX: (604) 875-6776
EMAIL: info@bbymfg.com • WEB www.bbymfg.com