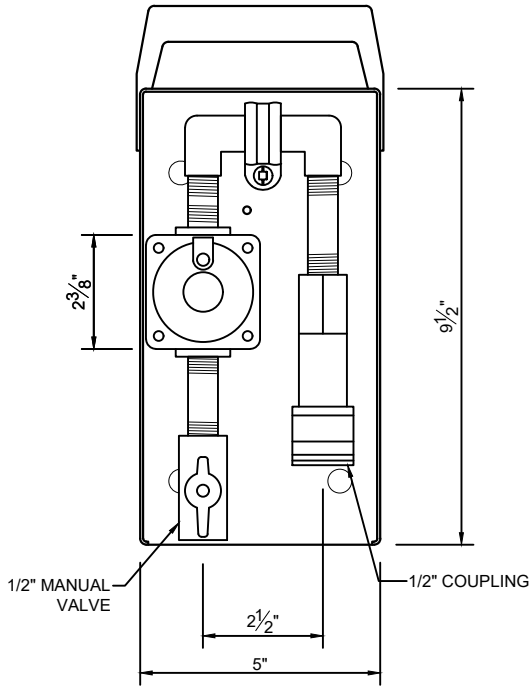
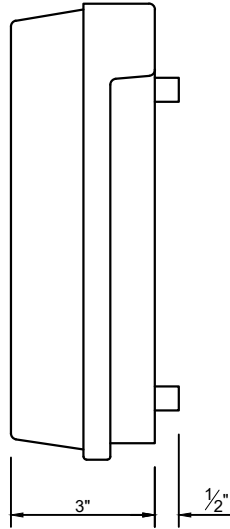


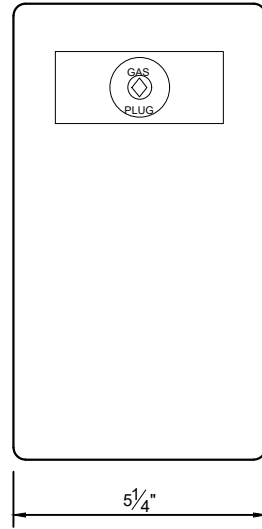
INSIDE



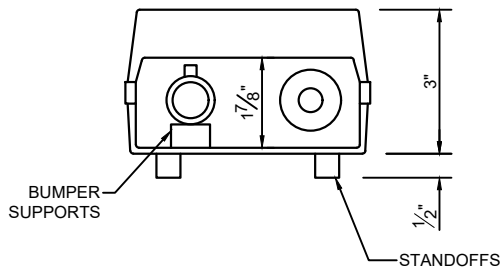
SIDE



COVER



BOTTOM



Version	Description
---------	-------------

Stamp



BBQ-2#-5-G-400-50 GREY PVC ENCLOSURE

SCALE
1/4":1"

DWG No.	Version	Date
		APRIL 2024