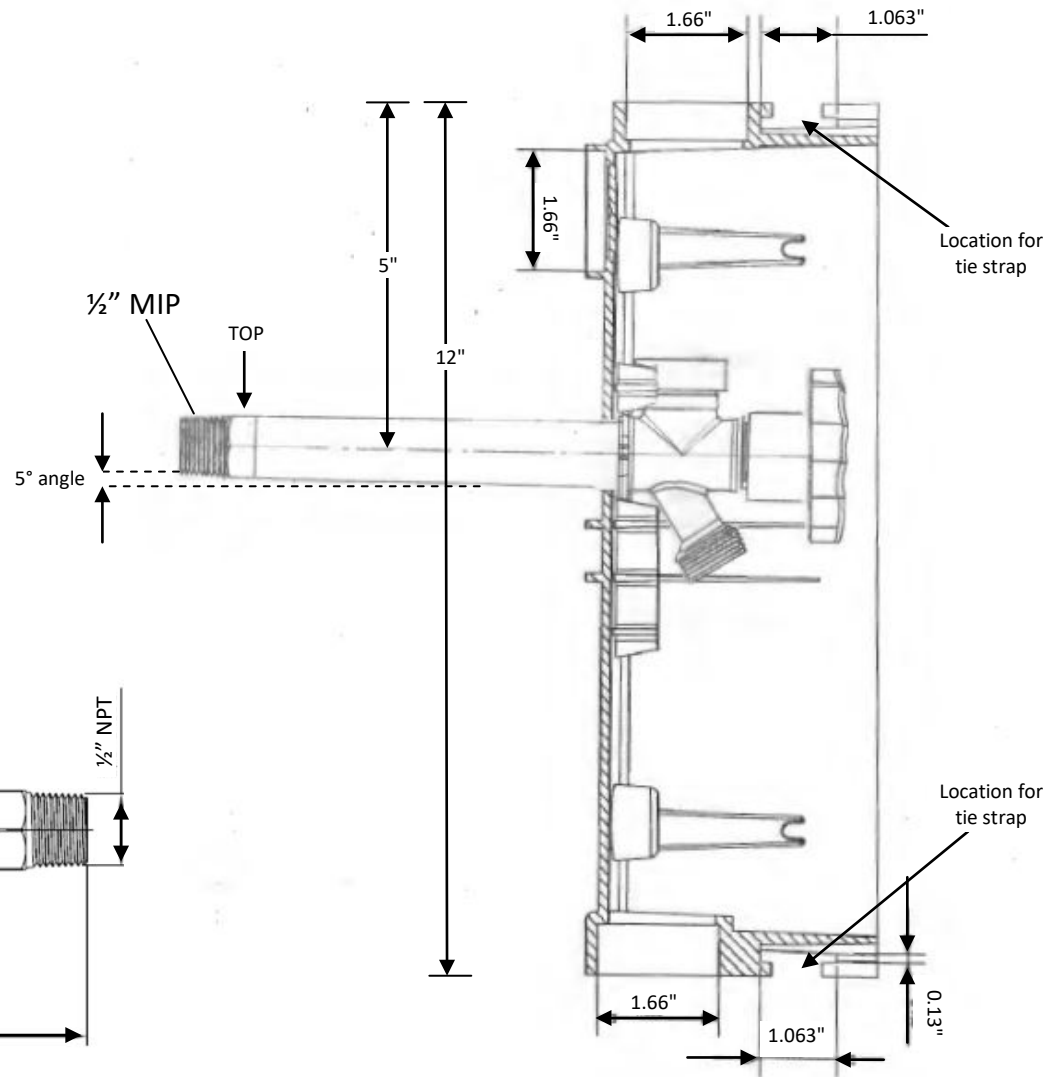
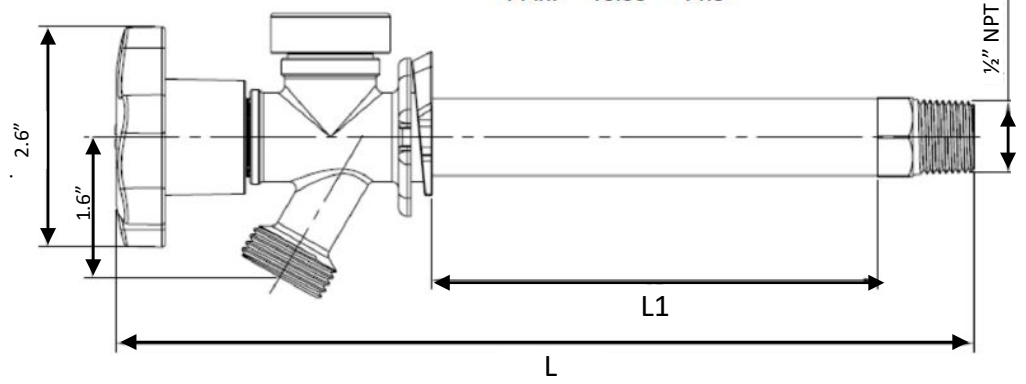


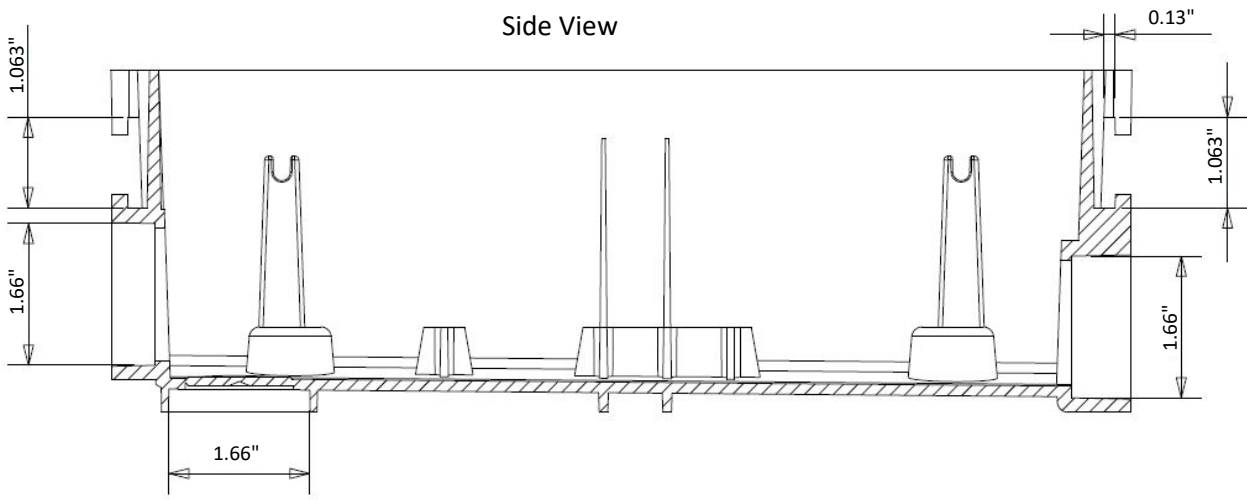
HYDRANT OUTLET ENGINEERS CUT SHEET

SIZE	L	L1
4 in.	8.55"	4.0"
6 in.	10.55"	6.0"
8 in.	12.55"	8.0"
10 in.	14.55"	10.0"
12 in.	16.55"	12.0"
14 in.	18.55"	14.0"

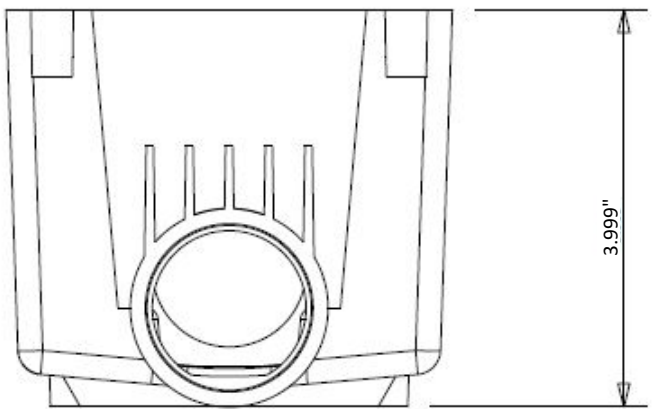


HYDRANT OUTLET ENGINEERS CUT SHEET

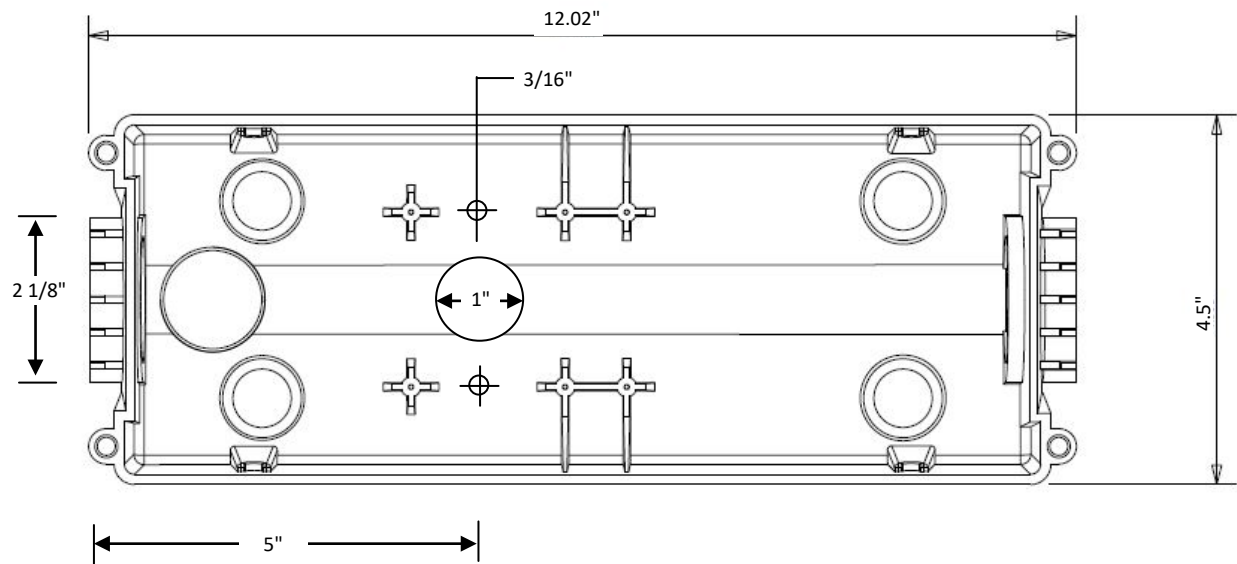
Rough-In Box -
Side View



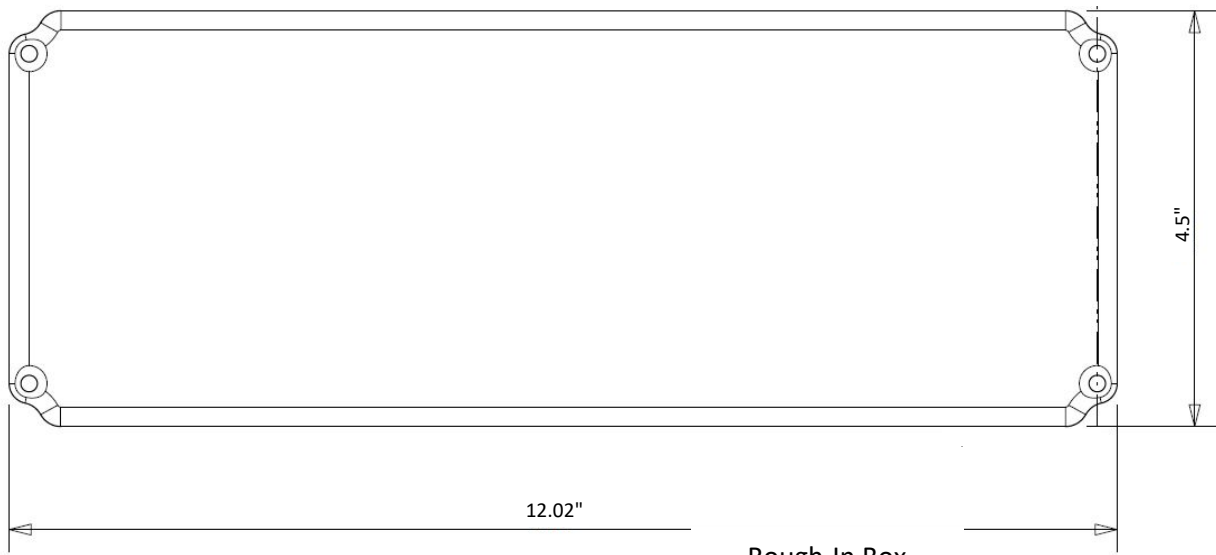
Rough-In Box -
Drainage End View



Rough-In Box -
Plan view

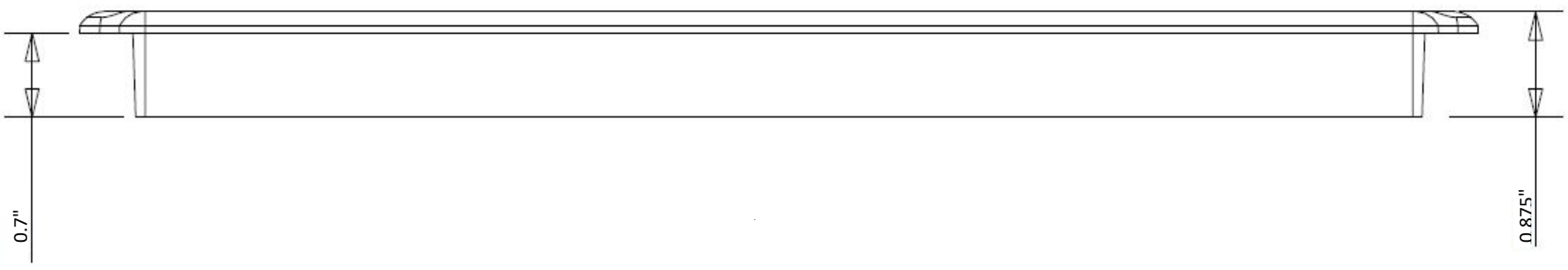


HYDRANT OUTLET
ENGINEERS CUT SHEET



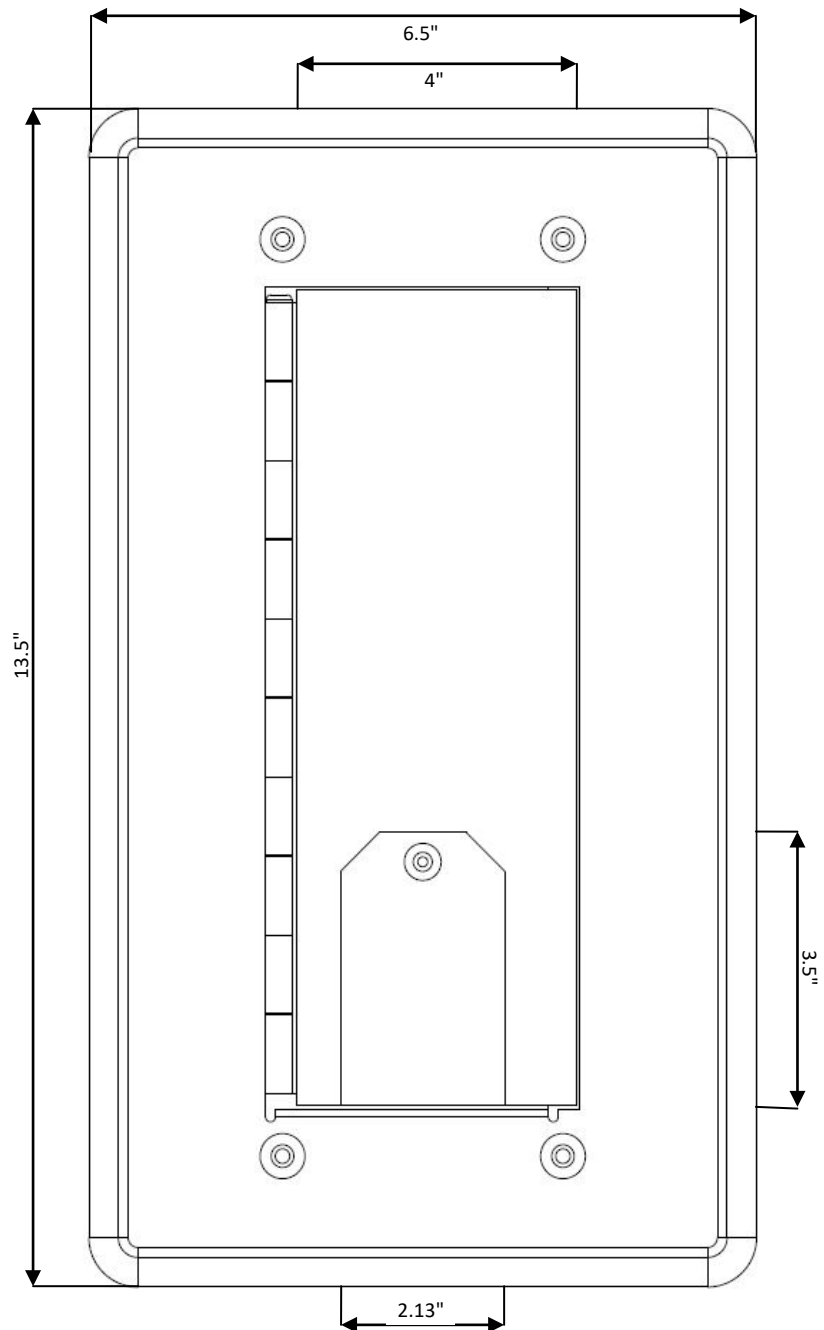
Rough-In Box Cover -
Plan View

Rough-In Box
Cover - Side View

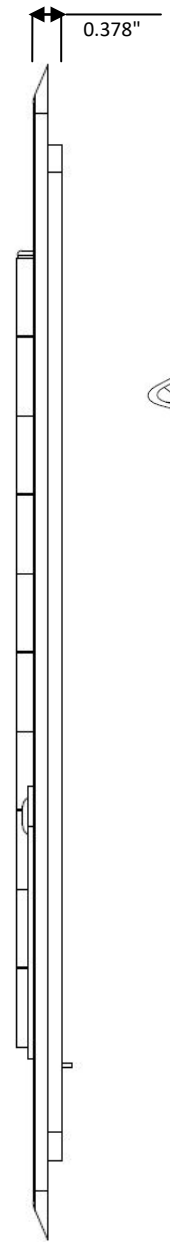


HYDRANT OUTLET ENGINEERS CUT SHEET

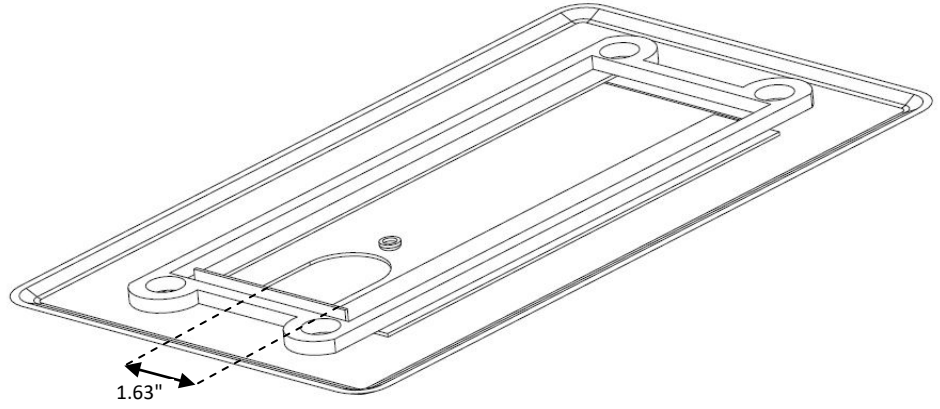
Stainless Steel Door -
Plan View



Stainless Steel Door -
Side View



Stainless Steel Door -
Back View



Stainless Steel Door -
Plan View

