



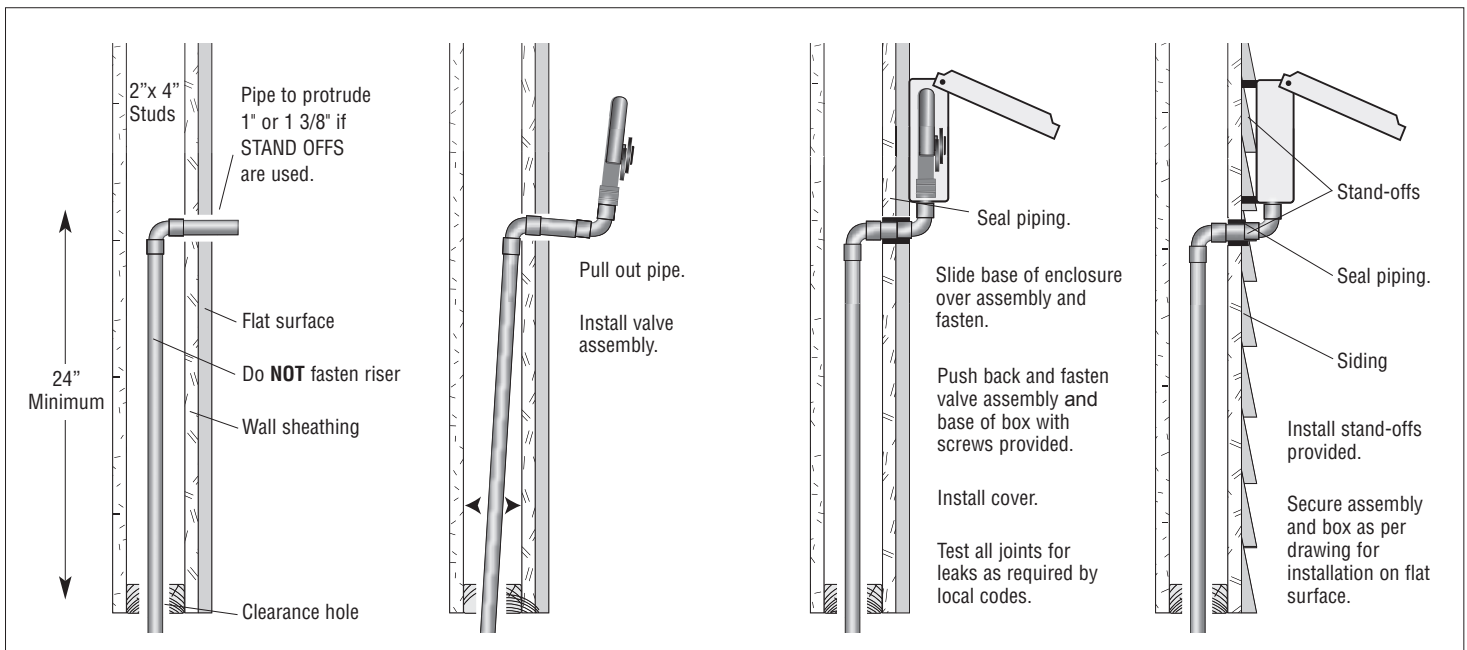
FOR MODEL BBQ-2#-400-50

GAS PLUG

INSTALLATION INSTRUCTIONS

OUTDOOR USE ONLY

1. This Gas Plug™ is designed to have the supply pipe enter the box from below.
2. Do NOT fasten the riser or elbow in the wall, as it will allow the pipe to move back and forth for ease of installation.
3. Install the inlet piping 9 1/2" below the intended top finish of the outlet box.
4. Secure the valve assembly to the inlet piping and soap-test all pipe joints.
5. Slide the base of the P.V.C. enclosure over the assembly so that the assembly sits in the box where desired and secure the base of the box to the wall.
6. Secure the assembly to the base of the enclosure using the copper strapping and screws provided.
7. Caulk the pipe coming through the wall.



IMPORTANT: AVOID OVERTIGHTENING OF WALL FASTENERS TO PREVENT BOX DAMAGE

8. This Gas Plug™ shall be installed in accordance with local codes or, in the absence of local codes, in accordance with the National Fuel Gas Code ANSI Z223.1/NFPA54, or the Natural Gas & Propane Installation Code, CSA B149.1, as applicable.
Test all piping joints inside the outlet box as per B149.1 or B149.2.
9. **Specifications:**
 - BBQ-2#-5G-90-50 - 83,000 B.T.U./hr Natural Gas @ 0.6 SP. @ 7" w.c.
125,000 B.T.U./hr Propane @ 1.53 SP. @ 11" w.c.
 - BBQ-2#-5G-400-50 - 90,000 B.T.U./hr Natural Gas @ 0.6 SP. @ 7" w.c.
138,000 B.T.U./hr Propane @ 1.53 SP. @ 11" w.c.
 - Maximum working pressure not to exceed 2 P.S.I.G.
 - Maximum operating range: from -40° C (-40° F) to 107° C (225° F)
10. **ADDITIONAL NOTES:**
 - Do not leave the male plug of the quick disconnect in the female socket. Leave separately in the gas outlet box for the customer.
 - The valve in front of the regulator is for servicing and should **ALWAYS** be turned ON very slowly so as not to damage the regulator diaphragm.
 - This type of unit may not be recommended near salt water locations, as the vent on the regulator will be susceptible to corrosion and blockage.
 - Consult the manufacturer for more information.